



■ Features :

- Charger for lead-acid batteries (flooded, Gel and AGM) and Li-ion batteries (lithium iron and lithium manganese) (Note.1)
- 2/3/8 stage charging selectable on output panel (Note 5)
- Built-in battery rescue function
- Universal AC input / Full range
- Controlled by microprocessor
- Built-in active PFC function PF>0.95
- Protection: Reverse Polarity / Short circuit / Over voltage / Over temperature
- 3 color LED loading indicator
- Built-in remote ON-OFF control
- 2-Bank charger
- Temperature compensation function
- FAN on/off control (depends on charging current)
- 3 years warranty

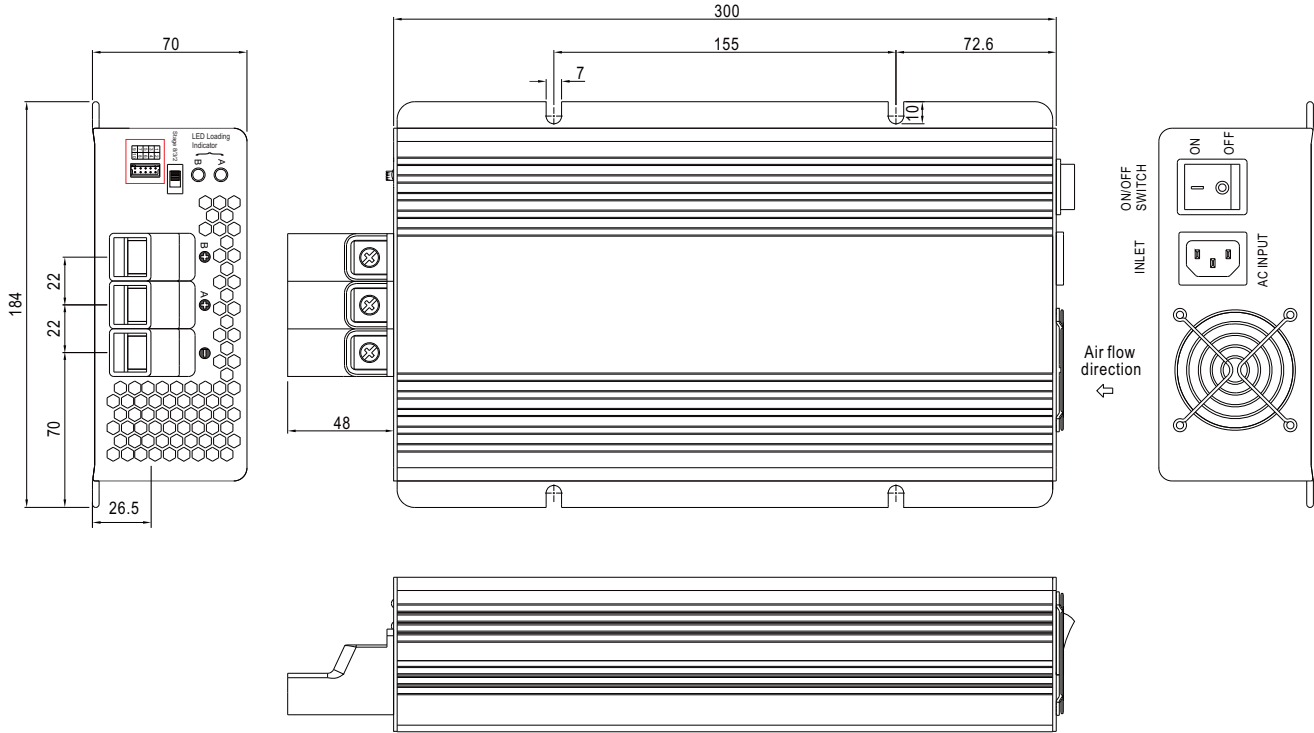


SPECIFICATION

MODEL		PB-1000-12	PB-1000-24	PB-1000-48
OUTPUT	BOOST CHARGE VOLTAGE V _{boost}	14.4V	28.8V	57.6V
	FLOAT CHARGE VOLTAGE V _{float}	13.8V	27.6V	55.2V
	OUTPUT CURRENT	60A	34.7A	17.4A
	RECOMMENDED BATTERY CAPACITY(AMP HOURS)(Note 4)	200 ~ 600Ah	120 ~ 350Ah	60 ~ 175Ah
	BATTERY TYPE	Open & Sealed Lead Acid		
	LEAKAGE CURRENT FROM BATTERY (Typ.)	<1mA		
INPUT	VOLTAGE RANGE	90 ~ 264VAC	127 ~ 370VDC	
	FREQUENCY RANGE	47 ~ 63Hz		
	POWER FACTOR (Typ.)	0.95/230VAC	0.98/115VAC at full load	
	EFFICIENCY (Typ.)	85%	88%	89%
	AC CURRENT (Typ.)	12A/115VAC	5.2A/230VAC	
	INRUSH CURRENT (Typ.)	25A/115VAC	50A/230VAC	
PROTECTION	LEAKAGE CURRENT	<3.5mA / 240VAC		
	OVER VOLTAGE	16 ~ 18V	32 ~ 35V	64.5 ~ 69.5V
	OVER TEMPERATURE	Shut down o/p voltage, re-power on to recover		
	SHORT CIRCUIT	Shut down o/p voltage, recovers automatically after temperature goes down		
FUNCTION	REVERSE POLARITY	YES, protected by internal circuit		
	REMOTE CONTROL	Open: Normal work Short: Stop Charging		
	BATTER BANKS	2 banks (A & B)		
	FAST CHARGE	2 / 3 / 8 stage selectable		
	CHARGER OK	Relay contact rating(max.): 30V/1A resistive ; "Short" when the unit is working properly, "Open"when the unit is failure or the protection function is activating		
	OUTPUT OK	Relay contact rating(max.): 30V/1A resistive ; "Short" when the battery is full, "Open" when the battery is still charging		
ENVIRONMENT	TEMPERATURE COMPENSATION	By NTC, compensate both banks at the same time		
	WORKING TEMP.	-20 ~ +60°C (Refer to "Derating Curve")		
	WORKING HUMIDITY	20 ~ 90% RH non-condensing		
	STORAGE TEMP., HUMIDITY	-40 ~ +85°C, 10 ~ 95% RH non-condensing		
	TEMP. COEFFICIENT	±0.05%/°C (0 ~ 50°C)		
SAFETY & EMC (Note 3)	VIBRATION	10 ~ 500Hz, 2G 10min./1 cycle, 60min. each along X, Y, Z axes		
	SAFETY STANDARDS	UL60950-1, TUV EN60950-1, EAC TP TC 004 approved		
	WITHSTAND VOLTAGE	I/P-O/P:3KVAC I/P-FG:2KVAC O/P-FG:0.5KVAC		
	ISOLATION RESISTANCE	I/P-O/P, I/P-FG, O/P-FG:100M Ohms / 500VDC / 25°C / 70% RH		
OTHERS	EMC EMISSION	Compliance to EN55032 (CISPR32), EN61000-3-2,-3, EAC TP TC 020		
	EMC IMMUNITY	Compliance to EN61000-4-2,3,4,5,6,8,11, EN55024, light industry level, criteria A, EAC TP TC 020		
	MTBF	127.4K hrs min. MIL-HDBK-217F (25°C)		
NOTE	DIMENSION	300*184*70mm(L*W*H)		
	PACKING	3.5Kg; 4pcs/15Kg/1.83CUFT		
<p>1. Modification for charger specification may be required for different battery specification. Please contact battery vendor and MEAN WELL for details.</p> <p>2. All parameters NOT specially mentioned are measured at 230VAC input, rated load and 25°C of ambient temperature.</p> <p>3. The power supply is considered a component which will be installed into a final equipment. The final equipment must be re-confirmed that it still meets EMC directives.</p> <p>4. This is Mean Well's suggested range. Please consult your battery manufacturer for their suggestions about maximum charging current limitation.</p> <p>5. Please choose the "3 stage" selection when the charger is used to charge the batteries and power the loads in the same time.</p> <p>6. The ambient temperature derating of 3.5°C/1000m with fanless models and of 5°C/1000m with fan models for operating altitude higher than 2000m(6500ft).</p>				

■ Mechanical Specification

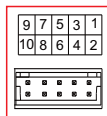
Case No. 804B Unit:mm



※ LED Loading Indicator Status Table

Color \ Status	Steady	Flashing
● Red	Abnormal status	
● Orange		Charging
● Green	Full	Charging

※ Control Pin No. Assignment(CN100) : HRS DF11-10DP-2DS or equivalent

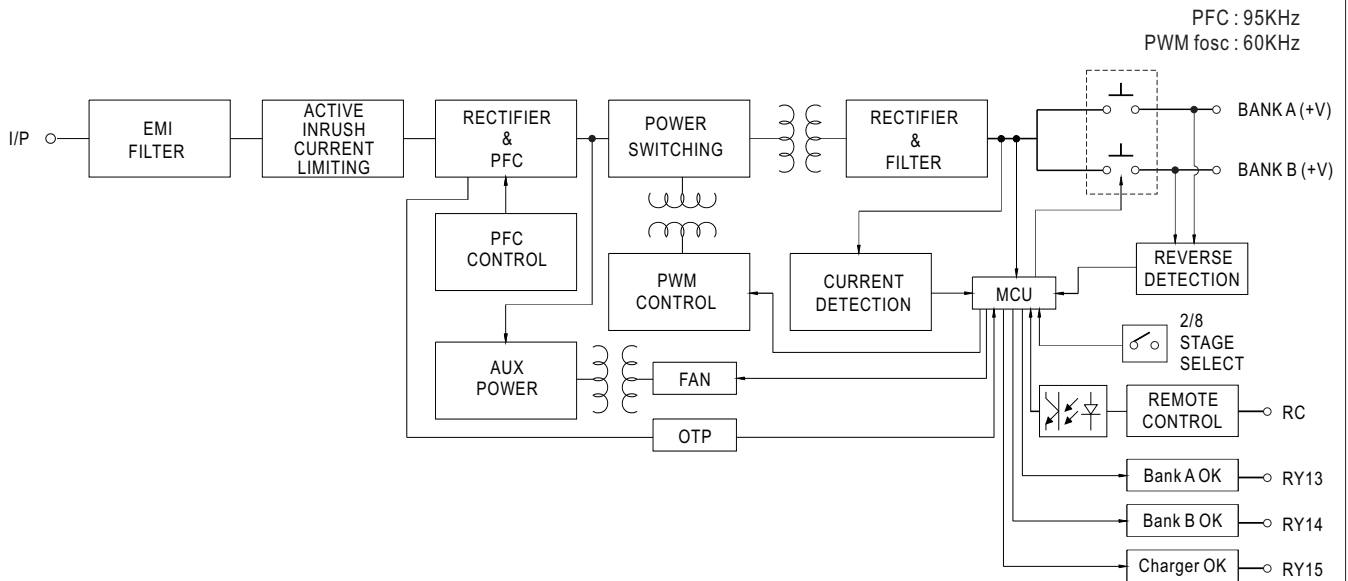


CN100

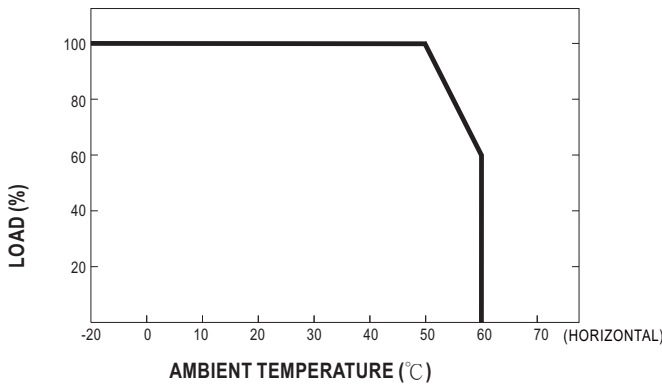
Mating Housing	HRS DF11-10DS or equivalent
Terminal	HRS DF11-**SC or equivalent

Pin No.	Function	Description
1,2	RY13	RY13 : Battery Bank A OK relay. Relay contact rating(max.) : 30V/1A resistive. ; "Short" when the battery A is full, "Open" when the battery A is still charging.
3,4	RY14	RY14 : Battery Bank B OK relay. Relay contact rating(max.) : 30V/1A resistive. ; "Short" when the battery B is full, "Open" when the battery B is still charging.
5,6	RY15	RY15 : Charger OK relay. Relay contact rating(max.) : 30V/1A resistive. ; "Short" when the unit is working properly, "Open" when the unit is failure or the protection function is activating.
7	GND	NTC / GND : Temperature sense Temperature sensor comes along with the charger can be connected to the unit to allow temperature compensation of the charging voltage.
8	NTC(5KΩ) RTH	If the temperature sensor is not used, the charger still works normally.
9,10	RC- / RC+	Remote ON/OFF function. Turn the output on and off by electrical or dry contact between pin 10 (RC+) and pin 9(RC-). "Open" : Normal work ; "Short" : Stop charging

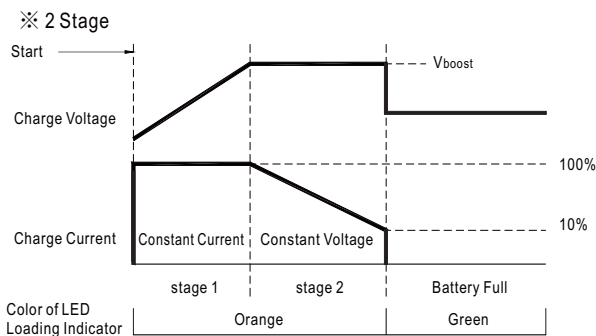
Block Diagram



Derating Curve

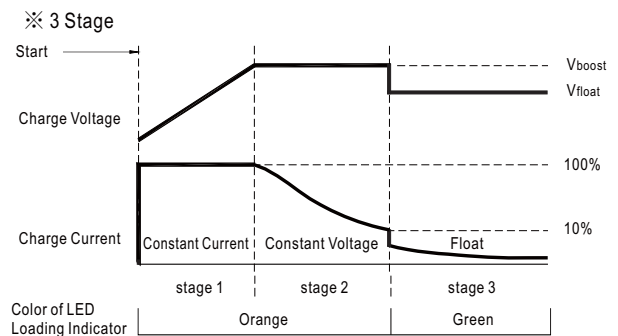


Charging Curve



State	PB-1000-12	PB-1000-24	PB-1000-48
Constant Current	60A	34.7A	17.4A
V _{boost}	14.4V	28.8V	57.6V

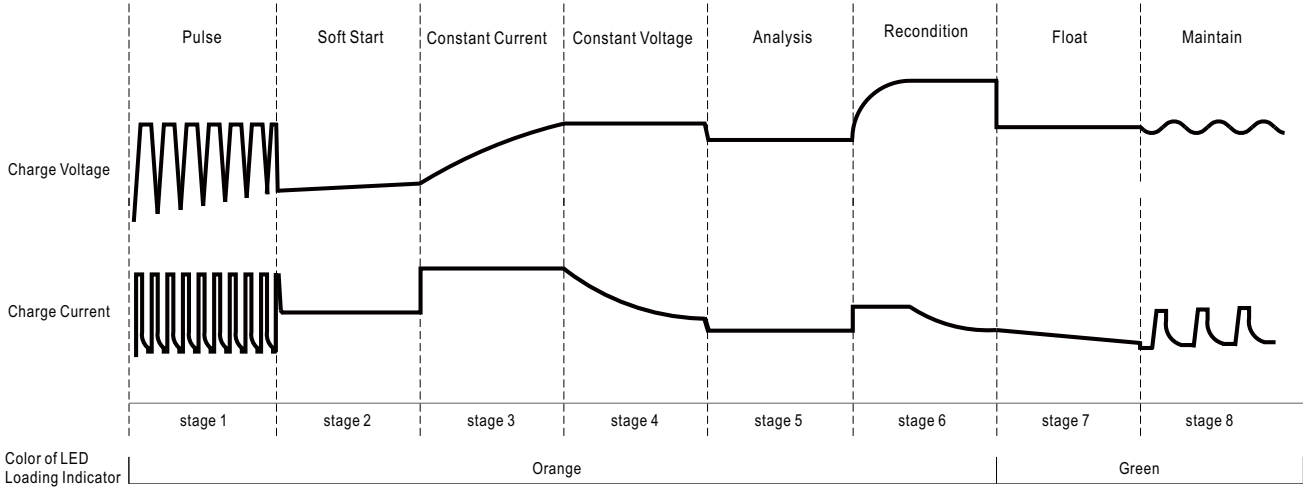
◎ Suitable for lead-acid batteries (flooded, Gel and AGM) and Li-ion batteries (lithium iron and lithium manganese).



State	PB-1000-12	PB-1000-24	PB-1000-48
Constant Current	60A	34.7A	17.4A
V _{boost}	14.4V	28.8V	57.6V
V _{float}	13.8V	27.6V	55.2V

◎ Suitable for lead-acid batteries (flooded, Gel and AGM) and Li-ion batteries (lithium iron and lithium manganese).

8 Stage



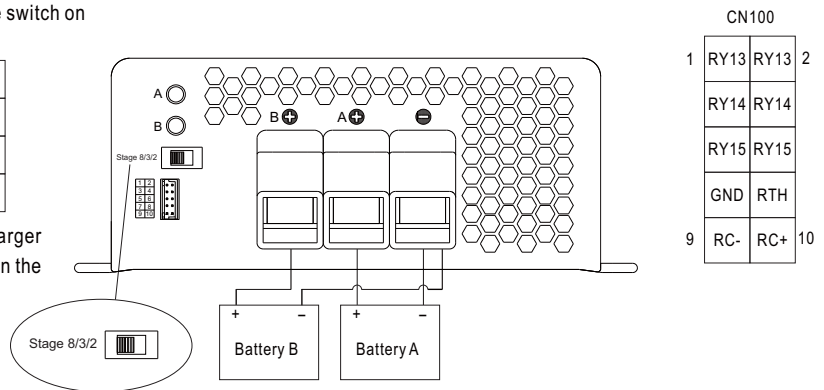
- ◎ Suitable for lead-acid batteries (flooded, Gel and AGM).
- ◎ "stage 1"(Pulse) and "stage 2"(Soft Start) provide battery rescue function.

2,3, or 8 Stage Charging Select

(1)The charger features user selectable 2,3, or 8 stage charging. The charging profile is selected by moving the slide switch on the back panel.

Switch	Charging mode
Right	2 stage charging
Middle	3 stage charging
Left	8 stage charging

(2)Please choose the "3 stage" selection when the charger is used to charge the batteries and power the loads in the same time.

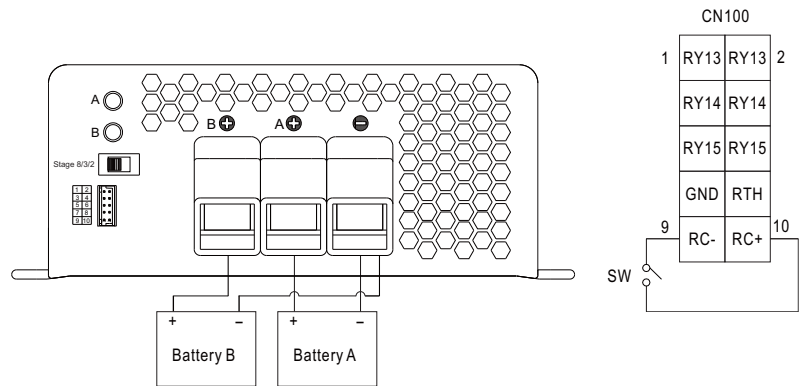


Function Manual

1.Remote Control

The charger can be turned ON/OFF by using the "Remote Control" function.

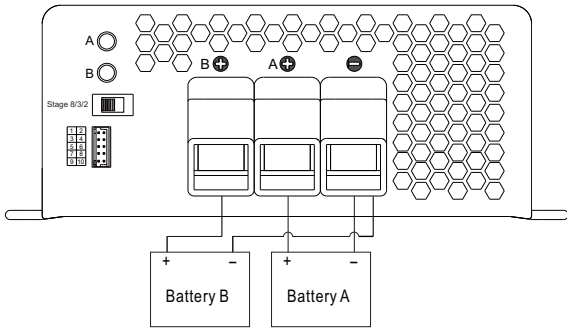
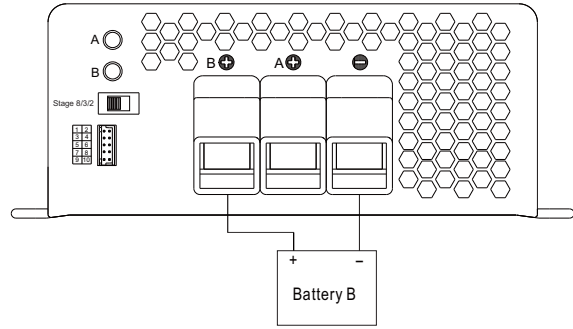
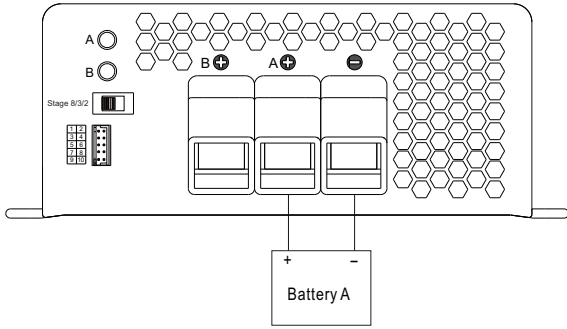
Between RC+(pin10) and RC-(pin9)	Charger
SW Open	ON
SW Short	OFF



2. Two Battery Banks (2/8 stage only)

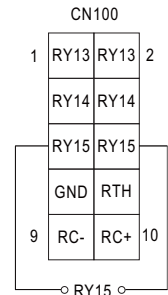
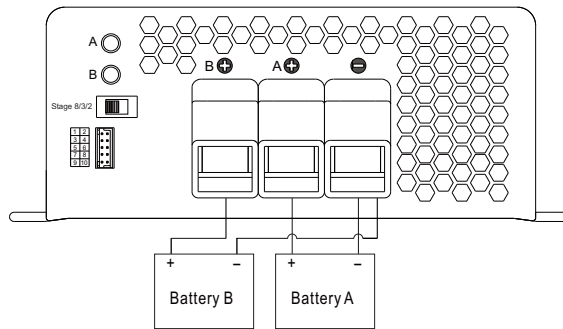
The charger may be hooked up two battery banks (A and/or B). Connect the battery bank(s) as below. If you are connecting 2 battery banks in the same time, keep in mind that they must share a common ground.

NOTE: The charger will charge bank A first then bank B if both channels are connected.



3. Charger OK Relay(RY15)

Charger	Between pin5 and pin6(RY15)
Normal work	ON (Short)
Failure or the protection function is activating	OFF (Open)



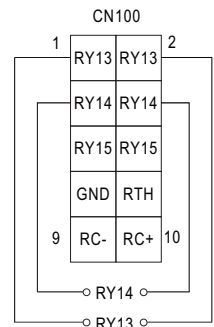
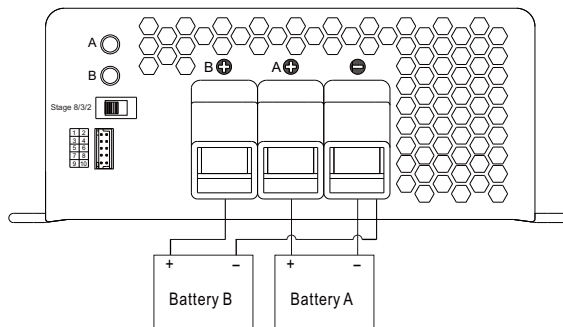
4. Output OK Relay(RY13 & RY14)

1. Bank A OK (RY13)

Bank A	Between pin1 and pin2(RY13)	Color of LED A
Battery A Full	ON (Short)	Green
Charging	OFF (Open)	Orange

2. Bank B OK (RY14)

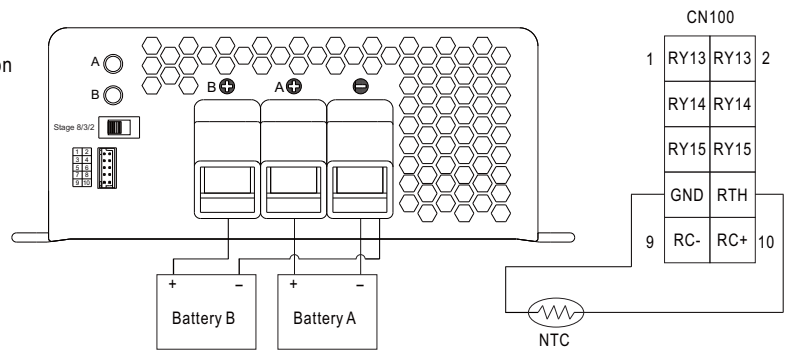
Bank B	Between pin3 and pin4(RY14)	Color of LED B
Battery B Full	ON (Short)	Green
Charging	OFF (Open)	Orange



5. Temperature Compensation

Temperature sensor comes along with the charger can be connected to the unit to allow temperature compensation of the charging voltage.

If the temperature sensor is not used, the charger still works normally.



The temperature sensor can either be attached to the battery or placed in its surrounding environment.