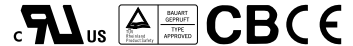


### ■ Features :

- Isolated output & GND for CH1,CH2
- Universal AC input / Full range
- Protections:Short circuit/Over load/Over voltage
- Cooling by free air convection
- LED indicator for power on
- 100% full load burn-in test
- All using 105°C long life electrolytic capacitors
- Withstand 300VAC surge input for 5 second
- High operating temperature up to 70°C
- Withstand 5G vibration test
- High efficiency, long life and high reliability

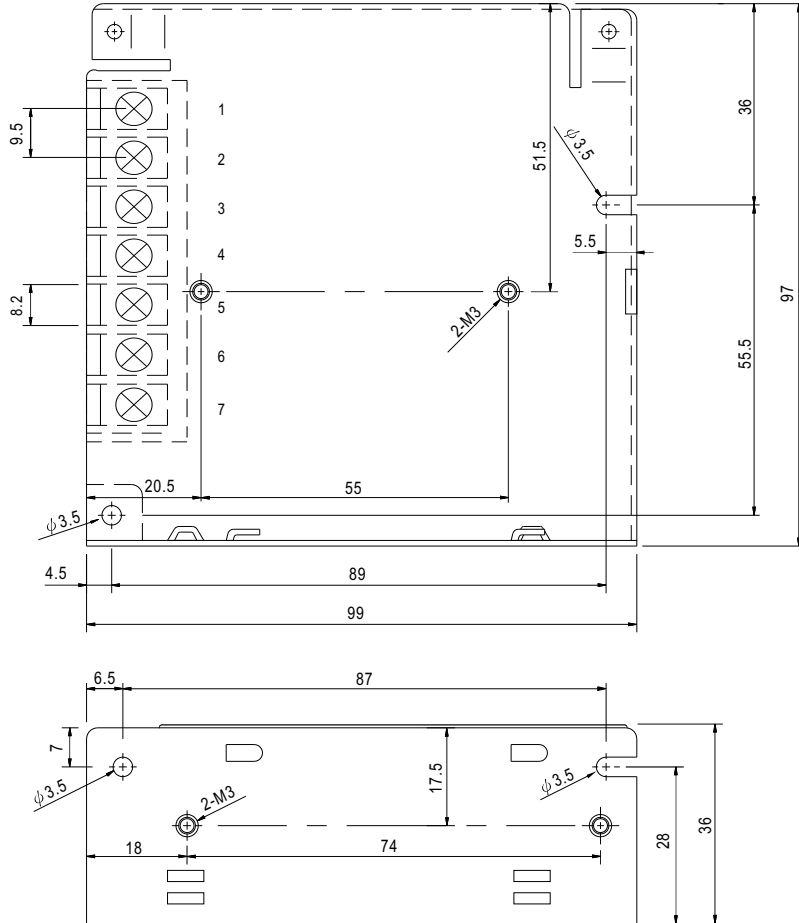


### SPECIFICATION

| MODEL                 | RID-50A   |   | RID-50B  |                  |          |
|-----------------------|---|---|--|------------------|----------|
| OUTPUT                | OUTPUT NUMBER   | CH1   | CH2  | CH1              | CH2      |
|                       | DC VOLTAGE  | 5V  | 12V  | 5V               | 24V      |
|                       | RATED CURRENT   | 6A  | 2A   | 4A               | 1.4A     |
|                       | CURRENT RANGE   | 0.3 ~ 6A  | 0.3 ~ 3A   | 0.3 ~ 6A         | 0.2 ~ 2A |
|                       | RATED POWER   | 54W   |  | 53.6W            |          |
|                       | RIPPLE & NOISE (max.) Note.2  | 80mVp-p   | 120mVp-p   | 80mVp-p          | 150mVp-p |
|                       | VOLTAGE ADJ. RANGE  | CH1: 4.75 ~ 5.5V  |  | CH1: 4.75 ~ 5.5V |          |
|                       | VOLTAGE TOLERANCE Note.3  | ±2.0%   | ±8.0%  | ±2.0%            | +4,-8.0% |
|                       | LINE REGULATION Note.4  | ±0.5%   | ±1.5%  | ±0.5%            | ±1.5%    |
|                       | LOAD REGULATION Note.5  | ±0.5%   | ±5.0%  | ±0.5%            | ±5.0%    |
| SETUP, RISE TIME      | 500ms, 20ms/230VAC 1200ms, 30ms/115VAC at full load   |   |  |                  |          |
| HOLD TIME (Typ.)      | 60ms/230VAC   | 14ms/115VAC at full load  |  |                  |          |
| INPUT                 | VOLTAGE RANGE   | 88 ~ 264VAC   | 125 ~ 373VDC (Withstand 300VAC surge for 5sec. Without damage) |                  |          |
|                       | FREQUENCY RANGE   | 47 ~ 63Hz   |  |                  |          |
|                       | EFFICIENCY (Typ.)   | 80%   | 81%  |                  |          |
|                       | AC CURRENT (Typ.)   | 1.3A/115VAC   | 0.8A/230VAC  |                  |          |
|                       | INRUSH CURRENT (Typ.)   | COLD START 33A/230VAC   |  |                  |          |
| LEAKAGE CURRENT       | <2mA / 240VAC   |   |  |                  |          |
| PROTECTION            | OVER LOAD   | 110 ~ 150% rated output power<br>Protection type : Hiccup mode, recovers automatically after fault condition is removed |  |                  |          |
|                       | OVER VOLTAGE  | CH1: 5.75 ~ 6.75V<br>Protection type : Hiccup mode, recovers automatically after fault condition is removed             |  |                  |          |
| ENVIRONMENT           | WORKING TEMP.   | -25 ~ +70°C (Refer to output load derating curve)   |  |                  |          |
|                       | WORKING HUMIDITY  | 20 ~ 90% RH non-condensing  |  |                  |          |
|                       | STORAGE TEMP., HUMIDITY   | -40 ~ +85°C, 10 ~ 95% RH  |  |                  |          |
|                       | TEMP. COEFFICIENT   | ±0.03%/°C (0 ~ 50°C) on +5V output  |  |                  |          |
| VIBRATION             | 10 ~ 500Hz, 5G 10min./1cycle, period for 60min. each along X, Y, Z axes   |   |  |                  |          |
| SAFETY & EMC (Note 6) | SAFETY STANDARDS  | UL60950-1, TUV EN60950-1 Approved   |  |                  |          |
|                       | WITHSTAND VOLTAGE   | I/P-O/P:3KVAC I/P-FG:1.5KVAC O/P-FG:0.5KVAC   |  |                  |          |
|                       | ISOLATION RESISTANCE  | I/P-O/P, I/P-FG, O/P-FG:100M Ohms/500VDC  |  |                  |          |
|                       | EMI CONDUCTION & RADIATION  | Compliance to EN55022 (CISPR22) Class B   |  |                  |          |
|                       | HARMONIC CURRENT  | Compliance to EN61000-3-2,-3  |  |                  |          |
| EMS IMMUNITY          | Compliance to EN61000-4-2,3,4,5,6,8,11; ENV50204, EN61000-6-2 (EN50082-2) heavy industry level, criteria A  |   |  |                  |          |
| OTHERS                | MTBF  | 172.6Khrs min. MIL-HDBK-217F (25°C)   |  |                  |          |
|                       | DIMENSION   | 99*97*36mm (L*W*H)  |  |                  |          |
|                       | PACKING   | 0.41Kg; 45pcs/19.5Kg/0.9CUFT  |  |                  |          |
| NOTE                  | <ol style="list-style-type: none"> <li>1. All parameters NOT specially mentioned are measured at 230VAC input, rated load and 25°C of ambient temperature.</li> <li>2. Ripple &amp; noise are measured at 20MHz of bandwidth by using a 12" twisted pair-wire terminated with a 0.1uf &amp; 47uf parallel capacitor.</li> <li>3. Tolerance : includes set up tolerance, line regulation and load regulation.</li> <li>4. Line regulation is measured from low line to high line at rated load.</li> <li>5. Load regulation is measured from 0% to 100% rated load.</li> <li>6. The power supply is considered a component which will be installed into a final equipment. The final equipment must be re-confirmed that it still meets EMC directives.</li> </ol> |   |  |                  |          |

**Mechanical Specification**

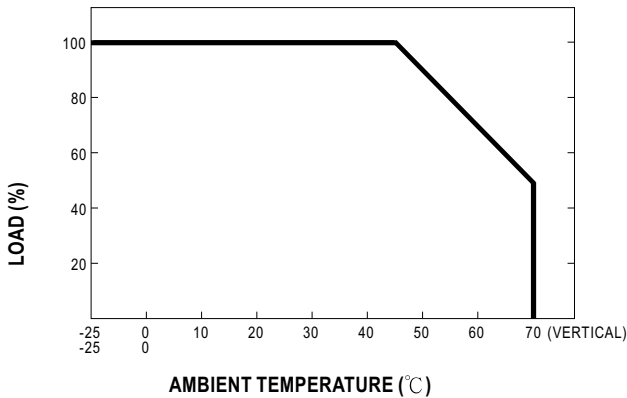
Case No. 905B Unit:mm



Terminal Pin. No Assignment

| Pin No. | Assignment   | Pin No. | Assignment    |
|---------|--------------|---------|---------------|
| 1       | AC/L         | 5       | DC OUTPUT +V2 |
| 2       | AC/N         | 6       | DC OUTPUT G1  |
| 3       | FG $\perp$   | 7       | DC OUTPUT +V1 |
| 4       | DC OUTPUT G2 |         |               |

**Derating Curve**



**Output Derating VS Input Voltage**

