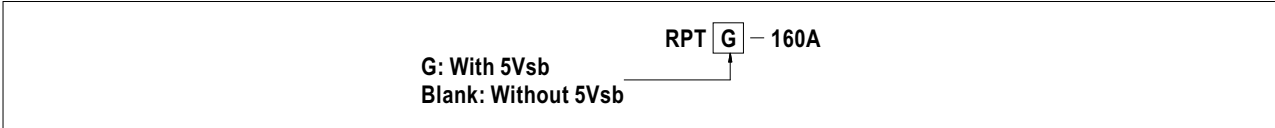


■ Features :

- Universal AC input / Full range
- Built-in active PFC function
- Protections: Short circuit / Overload / Over voltage / Over temperature
- 5"x3" compact size
- Free air convection for 100W and 145W with 20.5 CFM forced air
- With power good and fail signal output
- No load power consumption under 0.75W by PS-ON control (Optional)
- Standby 5V@0.8A with Fan/0.6A without Fan (Optional)

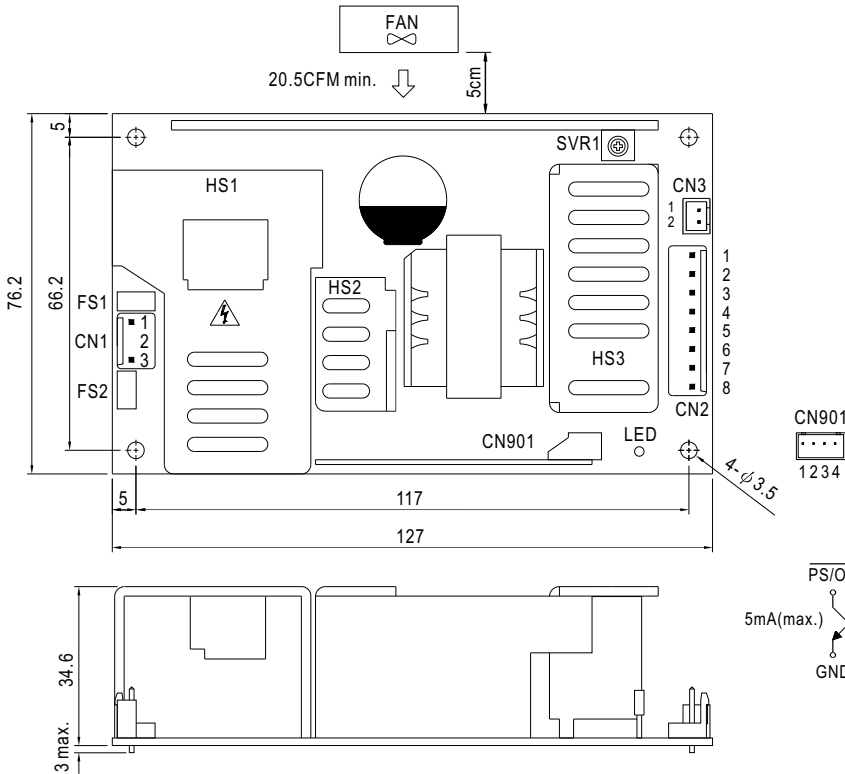


SPECIFICATION

MODEL	RPT□-160A			RPT□-160B			RPT□-160C			RPT□-160D			
OUTPUT	CH1	CH2	CH3	CH1	CH2	CH3	CH1	CH2	CH3	CH1	CH2	CH3	
OUTPUT NUMBER	CH1	CH2	CH3	CH1	CH2	CH3	CH1	CH2	CH3	CH1	CH2	CH3	
DC VOLTAGE	5V	12V	-5V	5V	12V	-12V	5V	15V	-15V	5V	12V	24V	
RATED CURRENT (20.5CFM)	14A	5.5A	1A	14A	5A	1A	14A	3.6A	1A	11A	5A	1.2A	
CURRENT RANGE (convection)	0.6 ~ 9A	0.2 ~ 3.8A	0.1 ~ 1A	0.6 ~ 9A	0.2 ~ 3.4A	0.1 ~ 0.8A	0.6 ~ 9A	0.1 ~ 2.6A	0.1 ~ 0.8A	0.3 ~ 8A	0.2 ~ 2.6A	0.15 ~ 1A	
CURRENT RANGE (20.5CFM)	0.6 ~ 14A	0.2 ~ 5.5A	0.1 ~ 1A	0.6 ~ 14A	0.2 ~ 5A	0.1 ~ 1A	0.6 ~ 14A	0.1 ~ 3.6A	0.1 ~ 1A	0.3 ~ 11A	0.2 ~ 5A	0.15 ~ 1.2A	
RATED POWER (convection) Note.7	98.6W			98.4W			99W			98.2W			
RATED POWER (20.5CFM) Note.8	145W			146W			143W			147.8W			
RIPPLE & NOISE (max.) Note.2	100mVp-p	120mVp-p	120mVp-p	100mVp-p	120mVp-p	120mVp-p	100mVp-p	150mVp-p	150mVp-p	100mVp-p	120mVp-p	200mVp-p	
VOLTAGE ADJ. RANGE	CH1:5 ~ 5.5V												
VOLTAGE TOLERANCE Note.3	±2.0%	±5.0%	-5,+7%	±2.0%	±5.0%	-4,+5%	±2.0%	±4.0%	+8.0%	±2.0%	±5.0%	±4.0%	
LINE REGULATION	±0.5%	±1.0%	±1.0%	±0.5%	±1.0%	±1.0%	±0.5%	±1.0%	±1.0%	±0.5%	±1.0%	±1.0%	
LOAD REGULATION	±1.5%	±3.0%	-5,+6%	±1.5%	±3.0%	-4,+5%	±2.0%	±3.0%	±8.0%	±1.5%	±3.0%	-3,+4%	
SETUP, RISE TIME	1200ms, 30ms/230VAC			2500ms, 30ms/115VAC at full load									
HOLD UP TIME (Typ.)	16ms/230VAC/115VAC at full load												
INPUT	VOLTAGE RANGE Note.6		90 ~ 264VAC		127 ~ 370VDC								
	FREQUENCY RANGE			47 ~ 63Hz									
	POWER FACTOR (Typ.)		PF>0.93/230VAC		PF>0.98/115VAC at full load								
	EFFICIENCY (Typ.)			84%		84%		83%		83%			
	AC CURRENT (Typ.)		1.8A/115VAC		0.9A/230VAC								
	INRUSH CURRENT (Typ.)			COLD START 35A/115VAC		70A/230VAC							
	LEAKAGE CURRENT			Earth leakage current <300uA / 264VAC, Patient leakage current <100uA/264VAC									
PROTECTION	OVERLOAD			105 ~ 135% rated output power Protection type : Hiccup mode, recovers automatically after fault condition is removed									
	OVER VOLTAGE			CH1: 5.75 ~ 6.75V Protection type : Shut down o/p voltage, re-power on to recover									
	OVER TEMPERATURE			105°C (TSW1) detect on heatsink of power transistor 90°C (TSW2) detect on heatsink of power transistor Protection type : (TSW1) Shut down o/p voltage, recovers automatically after temperature goes down Protection type : (TSW2) Shut down o/p voltage, re-power on to recover									
FUNCTION	5V STANDBY			5VSB : 5V@0.6A without Fan, 0.8A with Fan 20.5CFM ; tolerance ± 2%, ripple : 50mVp-p(max.)									
	PS-ON INPUT SIGNAL (OPTIONAL)			Power on: PS-ON = "Hi" or ">2V" ; Power off: PS-ON = "Low" or "<0.5V"									
	POWER GOOD / POWER FAIL			500ms>PG>10ms PF>1ms									
ENVIRONMENT	WORKING TEMP.			-20 ~ +70°C (Refer to output load derating curve)									
	WORKING HUMIDITY			20 ~ 90% RH non-condensing									
	STORAGE TEMP., HUMIDITY			-40 ~ +85°C, 10 ~ 95% RH									
	TEMP. COEFFICIENT			±0.03%/°C (0 ~ 50°C)									
	VIBRATION			10 ~ 500Hz, 2G 10min./1cycle, 60min. each along X, Y, Z axes									
SAFETY & EMC (Note 4)	SAFETY STANDARDS			UL60601-1, TUV EN60601-1 approved									
	WITHSTAND VOLTAGE			I/P-O/P:4KVAC I/P-FG:1.5KVAC O/P-FG:0.5KVAC									
	ISOLATION RESISTANCE			I/P-O/P, I/P-FG, O/P-FG:100M Ohms / 500VDC / 25°C / 70% RH									
	EMI CONDUCTION & RADIATION			Compliance to EN55011 (CISPR11), EN55022 (CISPR22) Class B									
	HARMONIC CURRENT			Compliance to EN61000-3-2,-3									
	EMS IMMUNITY			Compliance to EN61000-4-2,3,4,5,6,8,11; ENV50204, EN55024, EN60601-1-2, EN61204-3, medical level, criteria A									
OTHERS	MTBF			191.4Khrs min. MIL-HDBK-217F (25°C)									
	DIMENSION			127*76.2*34.6mm (L*W*H)									
	PACKING			0.33Kg; 36pcs/12.9Kg/0.79CUFT									
NOTE	<p>1. All parameters NOT specially mentioned are measured at 230VAC input, rated load and 25°C of ambient temperature.</p> <p>2. Ripple &amp; noise are measured at 20MHz of bandwidth by using a 12" twisted pair-wire terminated with a 0.1uf &amp; 47uf parallel capacitor.</p> <p>3. Tolerance : includes set up tolerance, line regulation and load regulation.</p> <p>4. The power supply is considered a component which will be installed into a final equipment. The final equipment must be re-confirmed that it still meets EMC directives.</p> <p>5. HS1,HS2 &amp; HS3 can not be shorted.</p> <p>6. Derating may be needed under low input voltages. Please check the derating curve for more details.</p> <p>7. The rated power includes 5Vsb @ 0.6A.</p> <p>8. The rated power includes 5Vsb @ 0.8A.</p>												

**Mechanical Specification**

Unit:mm



AC Input Connector (CN1) : JST B3P-VH or equivalent

Pin No.	Assignment	Mating Housing	Terminal
1	AC/N	JST VHR or equivalent	JST SVH-21T-P1.1 or equivalent
2	No Pin		
3	AC/L		

DC Output Connector (CN2) : JST B8P-VH or equivalent

Pin No.	Assignment	Mating Housing	Terminal
1,2,3,4	COM	JST VHR or equivalent	JST SVH-21T-P1.1 or equivalent
5,6	CH1		
7	CH2		
8	CH3		

Power Good Connector(CN3):JST B2B-XH or equivalent

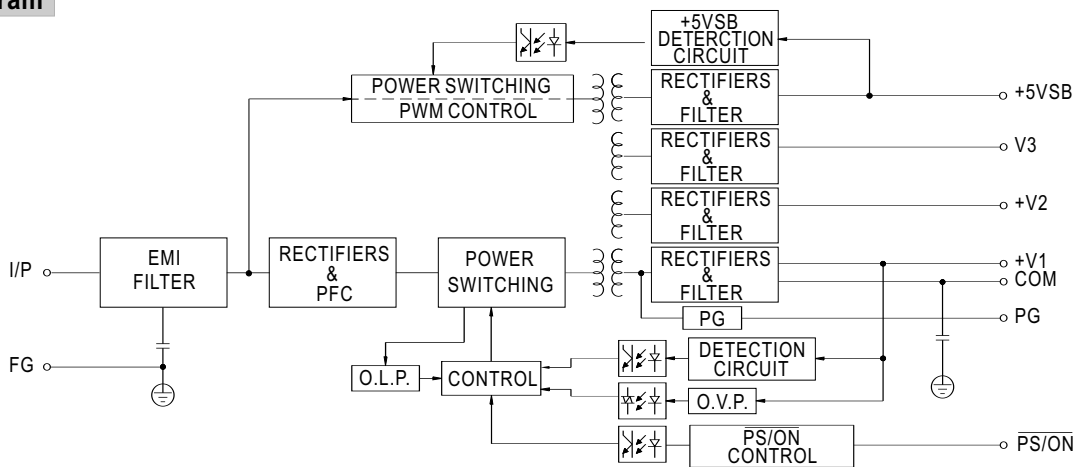
Pin No.	Status	Mating Housing	Terminal
1	PG	JST XHP or equivalent	JST SXH-001T-P0.6 or equivalent
2	GND		

5VSB Connector(CN901) : JST B-XH or equivalent

Pin No.	Assignment	Mating Housing	Terminal
1	PS/ON	JST XHP or equivalent	JST SXH-001T or equivalent
2,4	GND		
3	5VSB		

⚠ HS1,HS2,HS3 can not be shorted

**Block Diagram**



fosc :100KHz

**Derating Curve**

**Output Derating VS Input Voltage**

